

523-576

BRASS BALL VALVE INDUSTRY PN40 BSP LONG THREADED ENDS

Brass ball valves industry full bore with large flat sealing face for water networks, heating, watering, cooling and compressed air.

PTFE packing with EPDM O ring on anti blow-out stem.

Long threaded ends with flat sealing face.



Size : DN1/8" to DN4"

Connection : Male, Female BSP

Min Temperature : -10°C

Max Temperature : +120°C

Max Pressure : 40 Bars (up to DN1")

Specifications : Anti blow-out stem (from DN1/2" to DN2")

PTFE packing + O ring EPDM

Full bore

Materials : Brass EN 12165-CW617N

BRASS BALL VALVE INDUSTRY PN40 BSP LONG THREADED ENDS

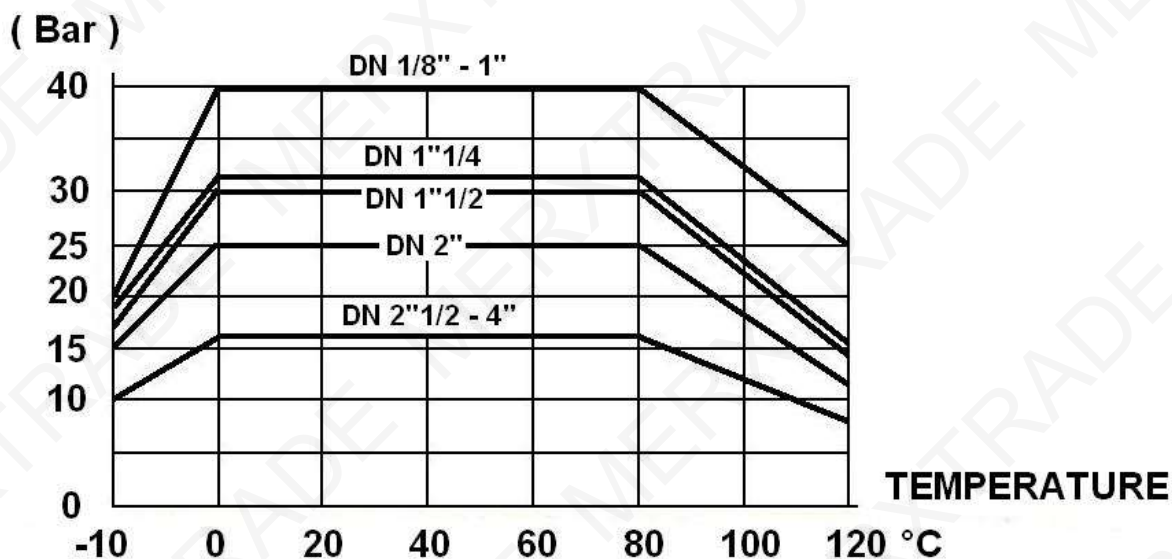
SPECIFICATIONS :

- Heavy model
- Long threaded ends
- Full bore
- Anti blow out stem from DN1/2" to DN2"
- Solid ball
- Packing PTFE + EPDM O ring
- Red flat steel handle or red butterfly aluminium handle

USE :

- Water, heating, watering, cooling and compressed air
- Min Temperature Ts : - 10 °C
- Max Temperature Ts : + 120°C
- Max Pressure Ps : 40 bars up to DN 1", 32 bars for DN 1"1/4, 30 bars for DN 1"1/2, 25 bars for DN 2" and 16 bars over (see graph)

PRESSURE / TEMPERATURE GRAPH (STEAM EXCLUDED) :

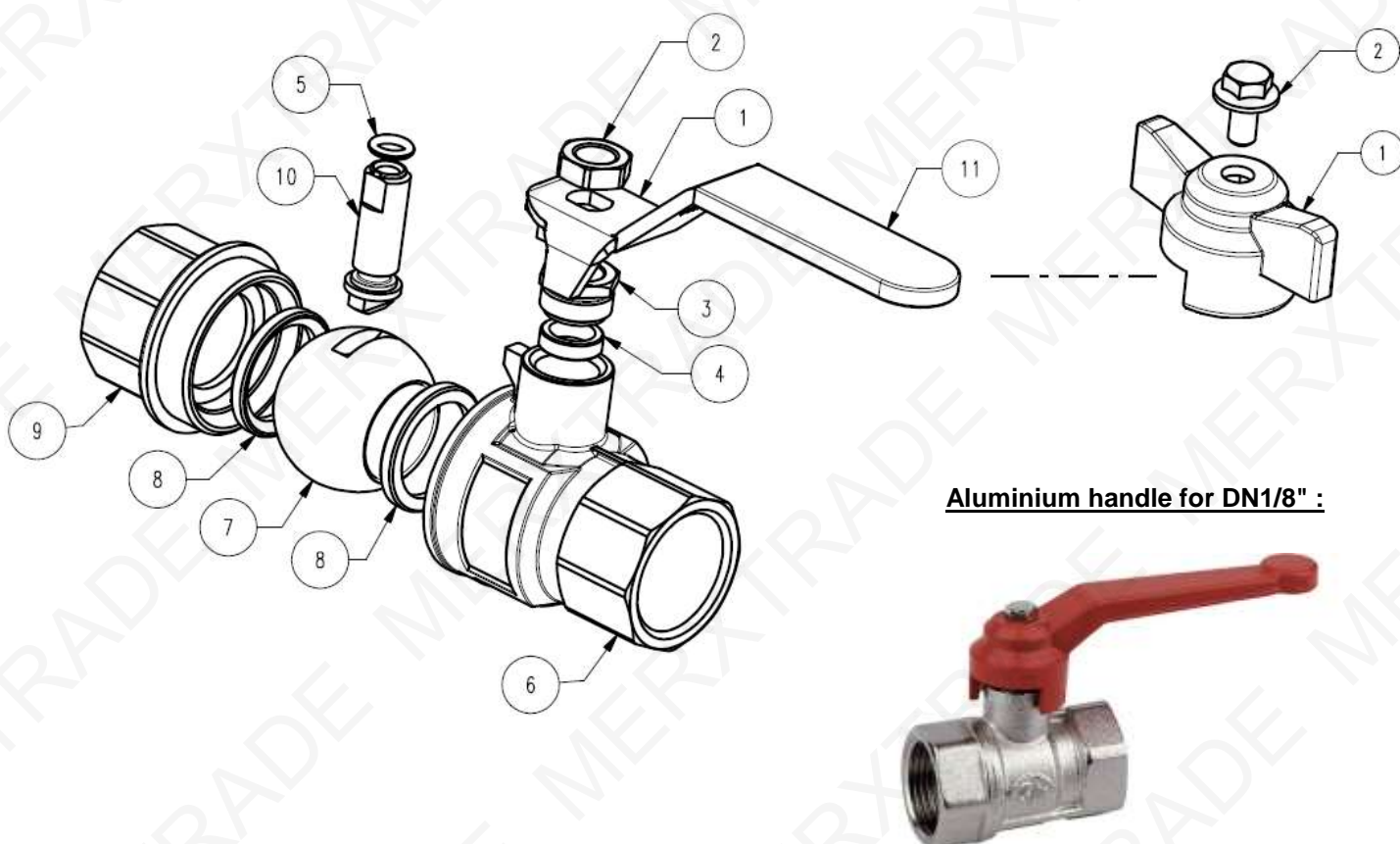


RANGE :

- Female / Female threaded BSP with red flat steel handle **Ref. 576** from DN 1/8" to 4"
- Female / Female threaded BSP with red aluminium butterfly handle **Ref. 523** from DN 1/4" to 1"
- Male / Female BSP with red flat steel handle **Ref. 527** from DN 1/4" to 2"
- Male / Female BSP with red aluminium butterfly handle **Ref. 537** from DN 1/4" to 1"
- Male / Male BSP with red flat steel handle **Ref. 538** from DN 3/8" to 1"
- Male / Male BSP with red aluminium butterfly handle **Ref. 548** from DN 3/8" to 1"

BRASS BALL VALVE INDUSTRY PN40 BSP LONG THREADED ENDS

MATERIALS FEMALE – FEMALE TYPES :

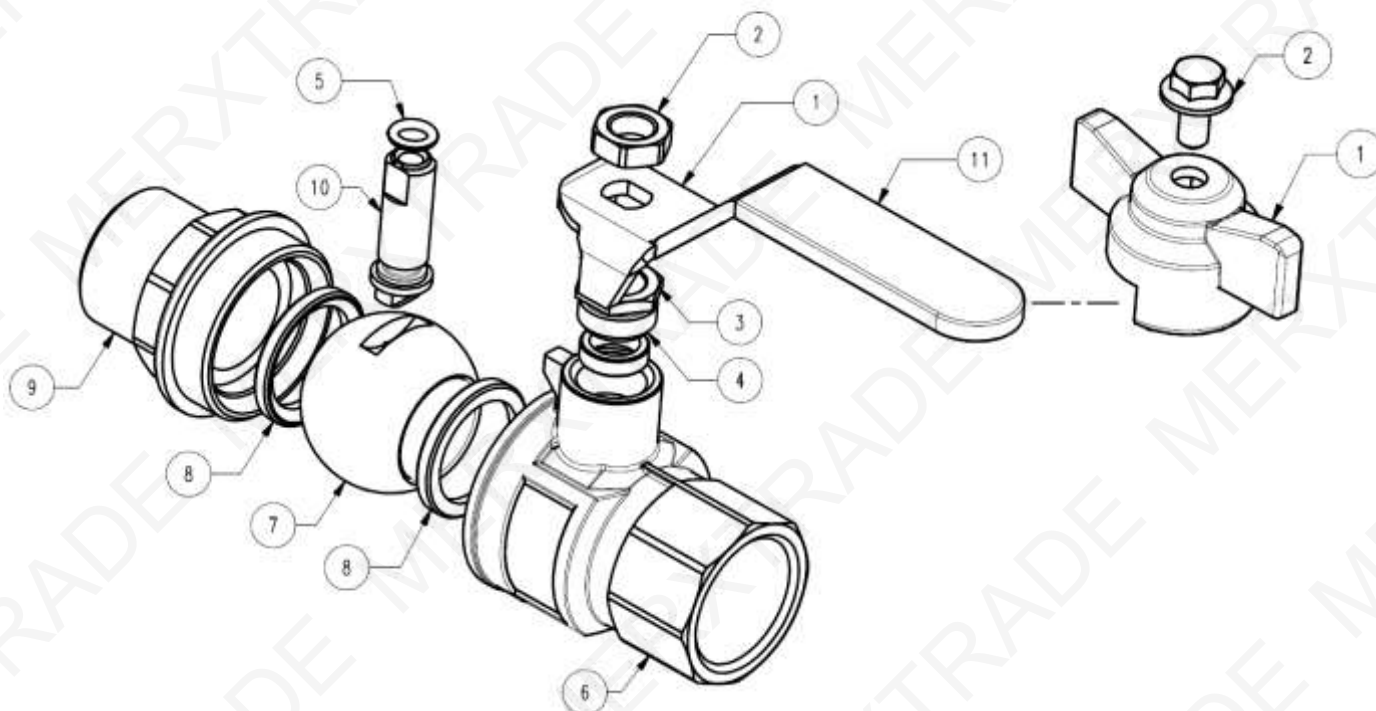


Aluminium handle for DN1/8" :

| Item | Designation | Materials 576 | Materials 523 |
|------|--------------|--|---------------|
| 1 | Handle | Galvanized steel | Aluminium |
| 2 | Nut / Screw | Steel | |
| 3 | Packing nut | Brass CW 614 N according to EN 12164 | |
| 4 | Packing | PTFE | |
| 5 | O ring | EPDM | |
| 6 | Body | Brass CW 617 N according to EN 12165 nickel | |
| 7 | Ball | Brass CW 617 N according to EN 12165 chromed | |
| 8 | Seat | PTFE | |
| 9 | Bonnet | Brass CW 617 N according to EN 12165 nickel | |
| 10 | Stem | Brass CW 614 N according to EN 12164 | |
| 11 | Handle cover | Plastic | - |

BRASS BALL VALVE INDUSTRY PN40 BSP LONG THREADED ENDS

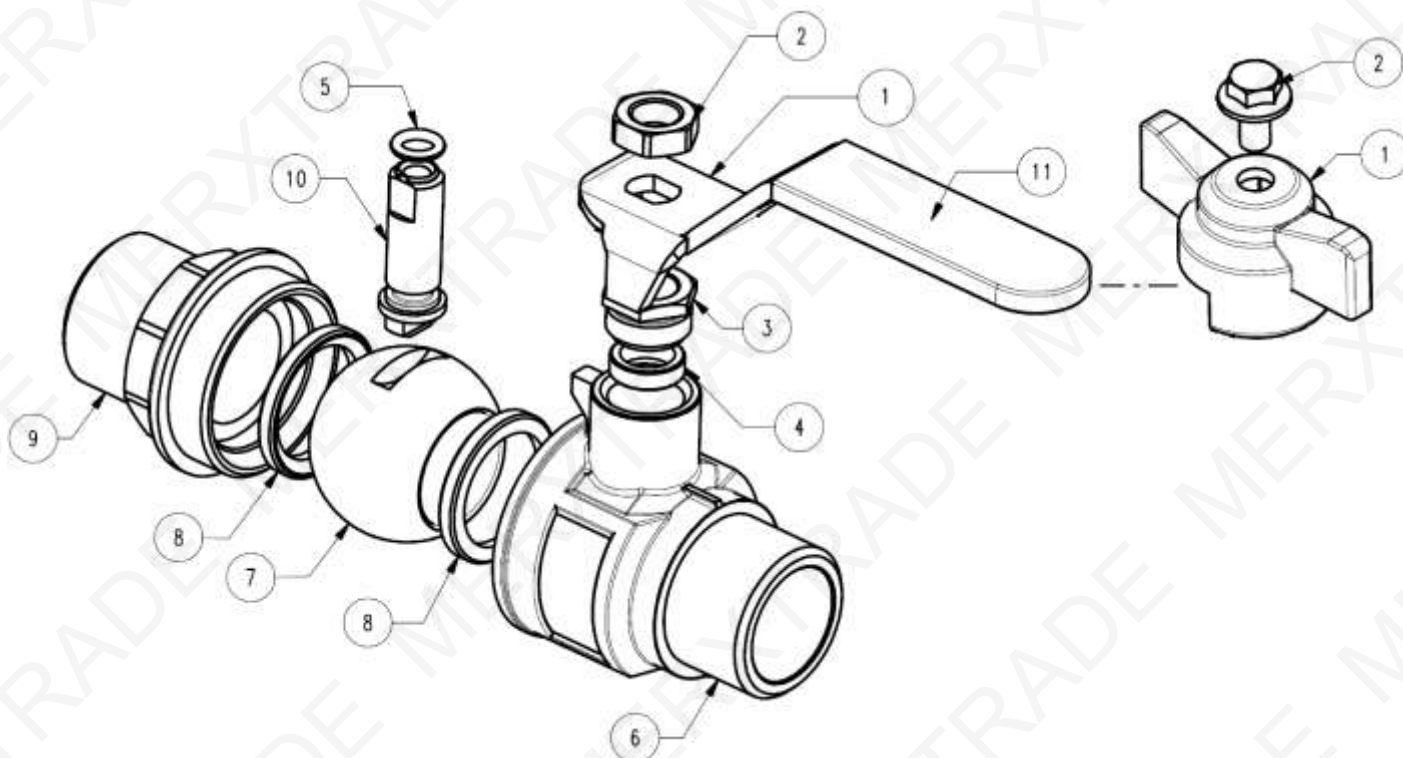
MATERIALS MALE – FEMALE TYPES :



| Item | Designation | Materials 527 | Materials 537 |
|------|--------------|---|---------------|
| 1 | Handle | Galvanized steel | Aluminium |
| 2 | Nut / Screw | Steel | |
| 3 | Packing nut | Brass CW 614 N according to EN 12164 | |
| 4 | Packing | PTFE | |
| 5 | O ring | EPDM | |
| 6 | Body | Brass CW 617 N according to EN 12165 nickeled | |
| 7 | Ball | Brass CW 617 N according to EN 12165 chromed | |
| 8 | Seat | PTFE | |
| 9 | Bonnet | Brass CW 617 N according to EN 12165 nickeled | |
| 10 | Stem | Brass CW 614 N according to EN 12164 | |
| 11 | Handle cover | Plastic | - |

BRASS BALL VALVE INDUSTRY PN40 BSP LONG THREADED ENDS

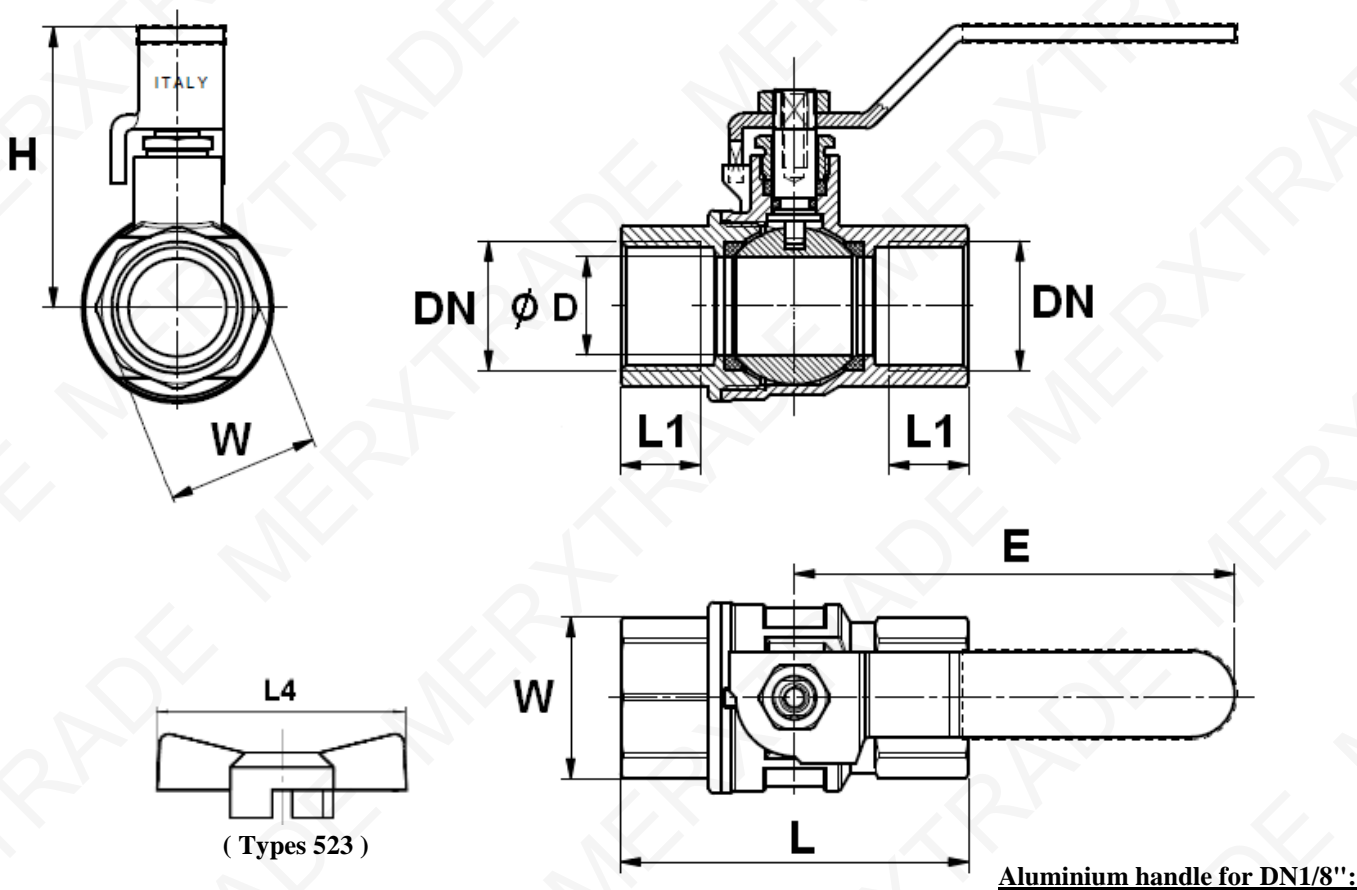
MATERIALS MALE - MALE TYPES :



| Item | Designation | Materials 538 | Materials 548 |
|------|--------------|--|---------------|
| 1 | Handle | Galvanized steel | Aluminium |
| 2 | Nut / Screw | Steel | |
| 3 | Packing nut | Brass CW 614 N according to EN 12164 | |
| 4 | Packing | PTFE | |
| 5 | O ring | EPDM | |
| 6 | Body | Brass CW 617 N according to EN 12165 nickel | |
| 7 | Ball | Brass CW 617 N according to EN 12165 chromed | |
| 8 | Seat | PTFE | |
| 9 | Bonnet | Brass CW 617 N according to EN 12165 nickel | |
| 10 | Stem | Brass CW 614 N according to EN 12164 | |
| 11 | Handle cover | Plastic | - |

BRASS BALL VALVE INDUSTRY PN40 BSP LONG THREADED ENDS

SIZE FEMELLE / FEMELLE TYPES (in mm) :



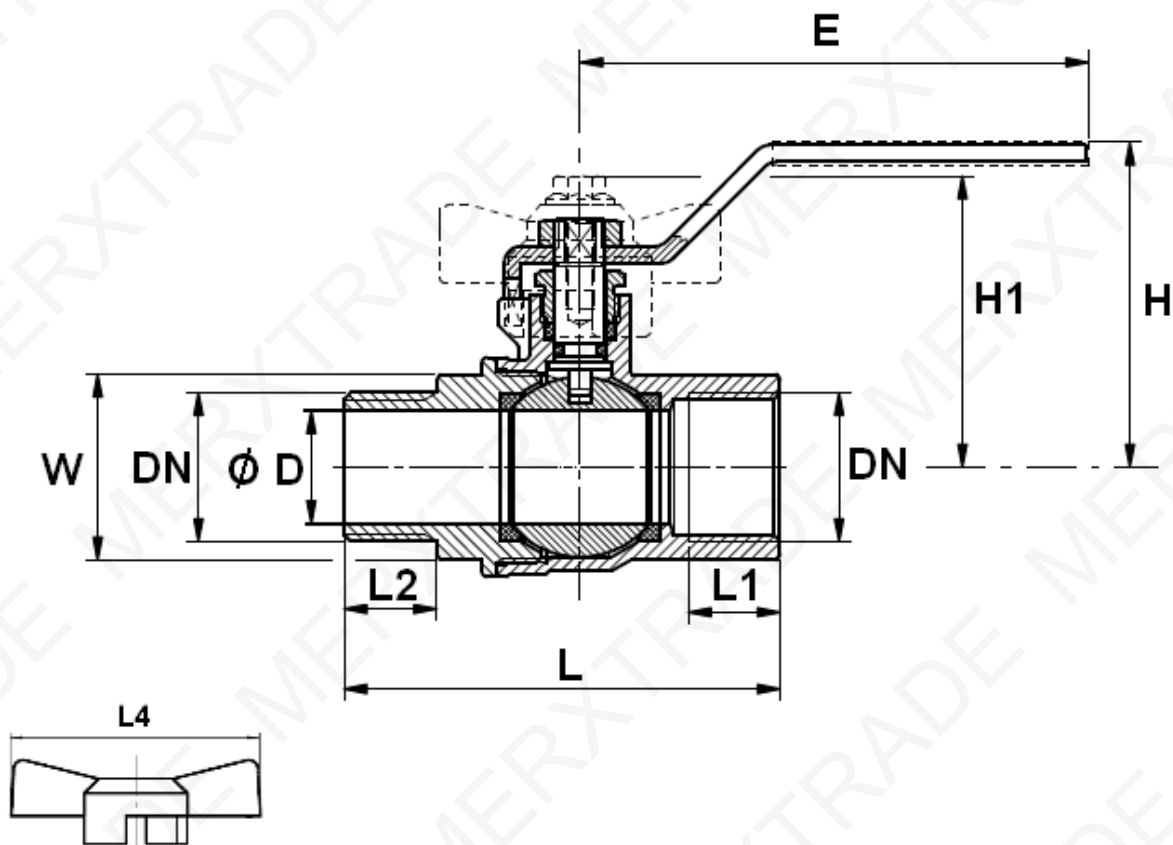
Aluminium handle for DN1/8":



| Ref. | DN | 1/8" | 1/4" | 3/8" | 1/2" | 3/4" | 1" | 1 1/4" | 1 1/2" | 2" | 2 1/2" | 3" | 4" |
|------|-------------|------|-------|-------|-------|-------|-------|--------|--------|------|--------|-------|------|
| 523 | Ø D | 9 | 10 | 10 | 15 | 20 | 25 | 32 | 40 | 49 | 60 | 74 | 94 |
| | L | 37.7 | 46.5 | 46.5 | 62 | 71 | 81.5 | 92 | 102 | 126 | 138 | 161.5 | 181 |
| | L1 | 10 | 10 | 10 | 15 | 16.3 | 19.1 | 21.4 | 21.4 | 26 | 26 | 27 | 28 |
| | L4 | - | 50 | 50 | 50 | 50 | 65 | - | - | - | - | - | - |
| 576 | E | 60 | 80 | 80 | 90 | 90 | 130 | 130 | 150 | 150 | 203 | 280 | 280 |
| | H | 36 | 40.5 | 40.5 | 53.5 | 57.5 | 66.5 | 72 | 83.5 | 90 | 116 | 132 | 150 |
| | W on flat | 20 | 21 | 21 | 26 | 31 | 38 | 48 | 55 | 68 | 85 | 98 | 123 |
| 576 | Weight (Kg) | 0.11 | 0.14 | 0.13 | 0.26 | 0.34 | 0.61 | 0.88 | 1.337 | 1.99 | 3.09 | 4.81 | 7.96 |
| 523 | Weight (Kg) | - | 0.125 | 0.109 | 0.229 | 0.310 | 0.536 | - | - | - | - | - | - |

BRASS BALL VALVE INDUSTRY PN40 BSP LONG THREADED ENDS

SIZE MALE / FEMELLE TYPES (in mm) :

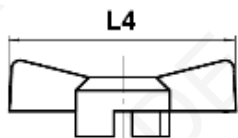
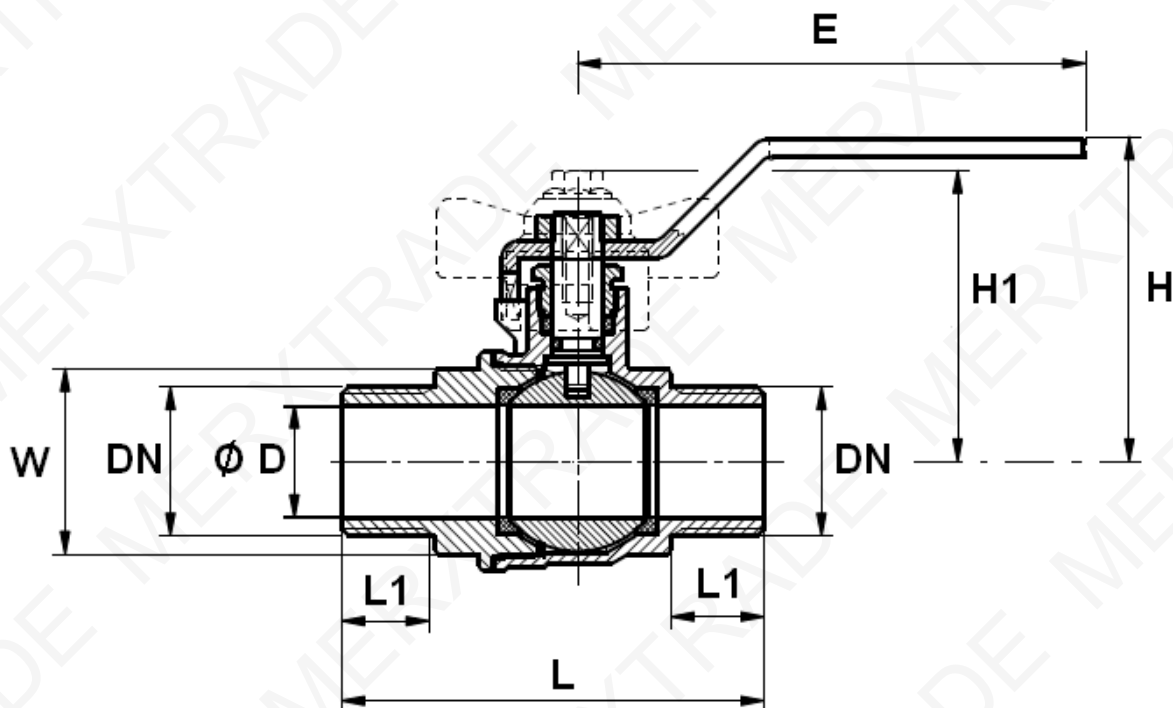


(Ref. 537)

| Ref. | DN | 1/4" | 3/8" | 1/2" | 3/4" | 1" | 1"1/4" | 1"1/2" | 2" |
|------|---------------|------|------|------|------|------|--------|--------|------|
| 527 | Ø D | 10 | 10 | 15 | 20 | 25 | 32 | 40 | 49 |
| | L | 52.5 | 52.5 | 67.5 | 77.5 | 87.5 | 101.5 | 110.5 | 134 |
| | L1 | 10 | 10 | 15 | 16.3 | 19.1 | 21.4 | 21.4 | 26 |
| | L2 | 11.5 | 11.5 | 15 | 16.5 | 19.5 | 21.5 | 21.5 | 26.5 |
| | L4 | 50 | 50 | 50 | 50 | 65 | - | - | - |
| 537 | E | 80 | 80 | 90 | 90 | 130 | 130 | 150 | 150 |
| | H | 40.5 | 40.5 | 53.5 | 57.5 | 66.5 | 72 | 83.5 | 90 |
| | H1 | 37.5 | 37.5 | 48 | 52 | 62.5 | - | - | - |
| | W on flat | 21 | 21 | 26 | 31 | 38 | 48 | 55 | 68 |
| 527 | Weight (Kg) | 0.14 | 0.14 | 0.27 | 0.36 | 0.62 | 0.94 | 1.37 | 2.02 |
| 537 | Weight (Kg) | 0.10 | 0.12 | 0.24 | 0.33 | 0.56 | - | - | - |

BRASS BALL VALVE INDUSTRY PN40 BSP LONG THREADED ENDS

SIZE MALE / MALE TYPES (in mm) :



(Ref. 548)

| Ref. | DN | 3/8" | 1/2" | 3/4" | 1" |
|------|---------------|------|------|------|------|
| 538 | Ø D | 10 | 15 | 20 | 25 |
| | L | 51.5 | 65.5 | 75.5 | 85.5 |
| | L1 | 11.5 | 15 | 16.5 | 19.5 |
| | L4 | 50 | 50 | 50 | 65 |
| | E | 80 | 90 | 90 | 130 |
| 548 | H | 40.5 | 53.5 | 57.5 | 66.5 |
| | H1 | 37.5 | 48 | 52 | 62.5 |
| | W on flat | 21 | 26 | 31 | 38 |
| 538 | Weight (Kg) | 0.13 | 0.25 | 0.34 | 0.61 |
| 548 | Weight (Kg) | 0.11 | 0.22 | 0.31 | 0.54 |

BRASS BALL VALVE INDUSTRY PN40 BSP LONG THREADED ENDS

STANDARDS :

- Manufacturer certified ISO 9001 : 2015
- Designing according to EN 13828
- DIRECTIVE 2014/68/EU : Products excluded from directive up to DN1" (Article 4, § 3)
Risk category I module A from DN1"1/4 to DN2"
- Threaded male and female BSP cylindrical ends according to ISO 228-1

ADVICE : Our opinion and our advice are not guaranteed and MERXTRADE shall not be liable for the consequences of damages. The customer must check the right choice of the products with the real service conditions.